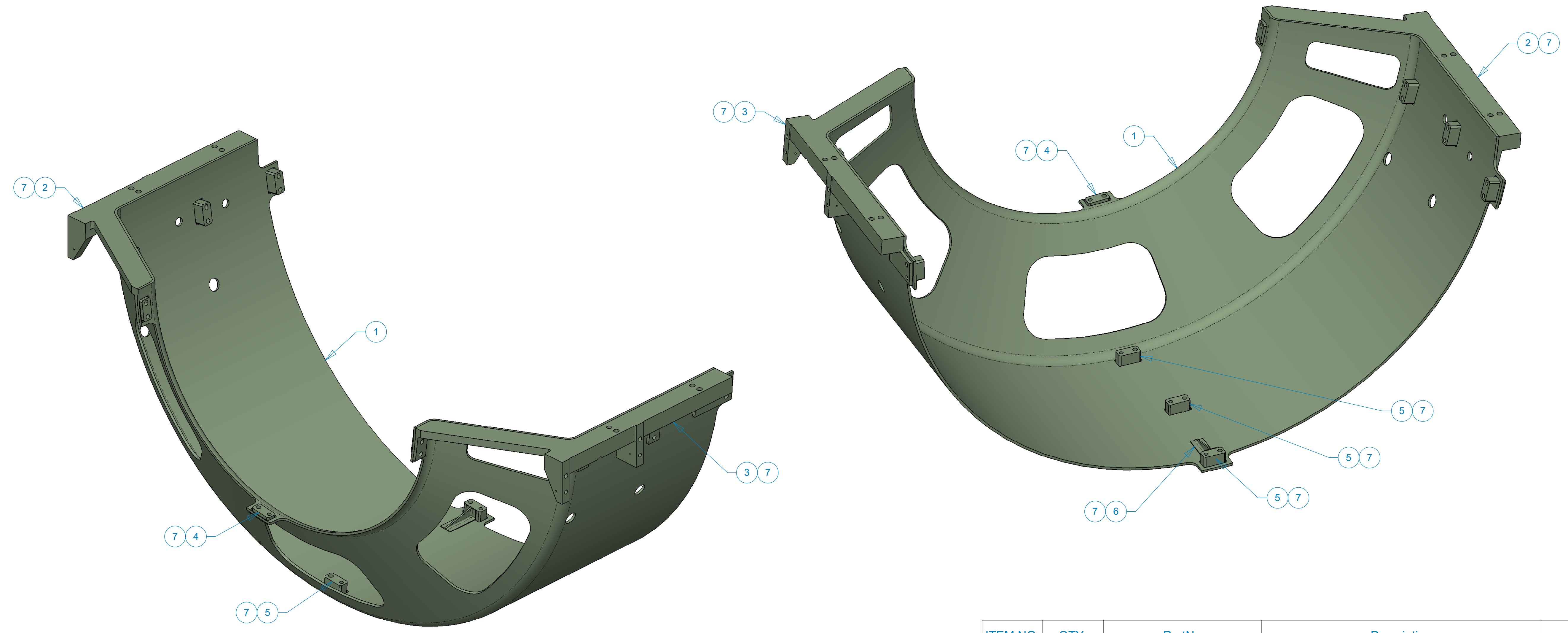


8 7 6 5 4 3 2 1

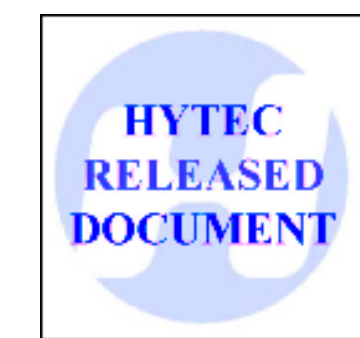
REVISIONS		DATE	APPROVED
REV	DESCRIPTION		
A	Items 2 & 3 updated	03/15/10	

D
C
B
A

D
C
B
A



ITEM NO.	QTY.	PartNo	Description	Material
1	1	111-PHX-01-3101-1	FVTX Cage Shell	
2	1	111-PHX-02-3102-1	FVTX Cage External Mounting Block 1	
3	1	111-PHX-02-3103-1	FVTX Cage External Mounting Block 2	
4	1	111-PHX-01-3104-1	FVTX Cage Station 1 Mounting Block	
5	3	111-PHX-01-3105-1	iFVTX Cage Station 2,3, 4 Mounting Block	
6	1	111-PHX-01-3106-1	FVTX Cage Stiffening Wedge	
7	1		Adhesive	HYSOL 9396

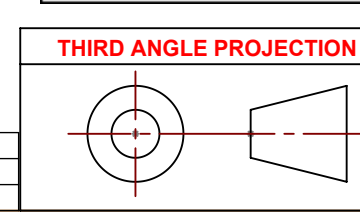


UNLESS OTHERWISE SPECIFIED:
DIMENSIONS ARE IN MILLIMETERS
-TOLERANCES-

DECIMALS	ANGULAR
X = +/- .5	.X = +/- .30°
.X = +/- .25	.XX = +/- .15°
.XX = +/- .1	
.XXX = +/- .05	SURFACE FINISH = 250

CAD GENERATED DRAWING.
DO NOT MANUALLY UPDATE
DO NOT SCALE DRAWING

HYTEC, INC
TITLE:
**PHENIX CENTRAL UPGRADE
FVTX CAGE
BONDED ASSEMBLY**



FINISH	SIGNATURE	DATE
	Designer Roger L. Smith	7/25/2008
	Drawn Roger L. Smith	7/25/2008
	Checked RJ Ponchione	11/19/2009
	Engineer RJ Ponchione	7/25/2008
	Approved RJ Ponchione	11/19/2009

DWG. NO.	SIZE	SHEET NO.
111-PHX-02-3100	D	1 of 3
SCALE 3:4	REVISION A	

THIS DOCUMENT CONTAINS INFORMATION THAT IS THE PROPRIETARY PROPERTY OF HYTEC, INC.
REPRODUCTION, DISCLOSURE, OR RELEASE TO OTHERS, MANUALLY OR ELECTRONICALLY,
IS STRICTLY PROHIBITED WITHOUT THE PRIOR WRITTEN CONSENT OF HYTEC, INC.

8 7 6 5 4 3 2 1

8

7

6

5

4

3

2

1

D

D

C

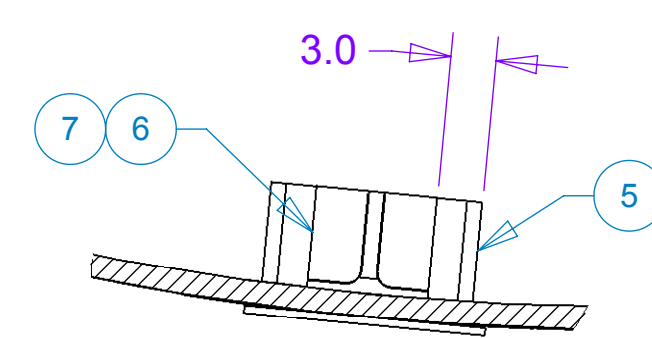
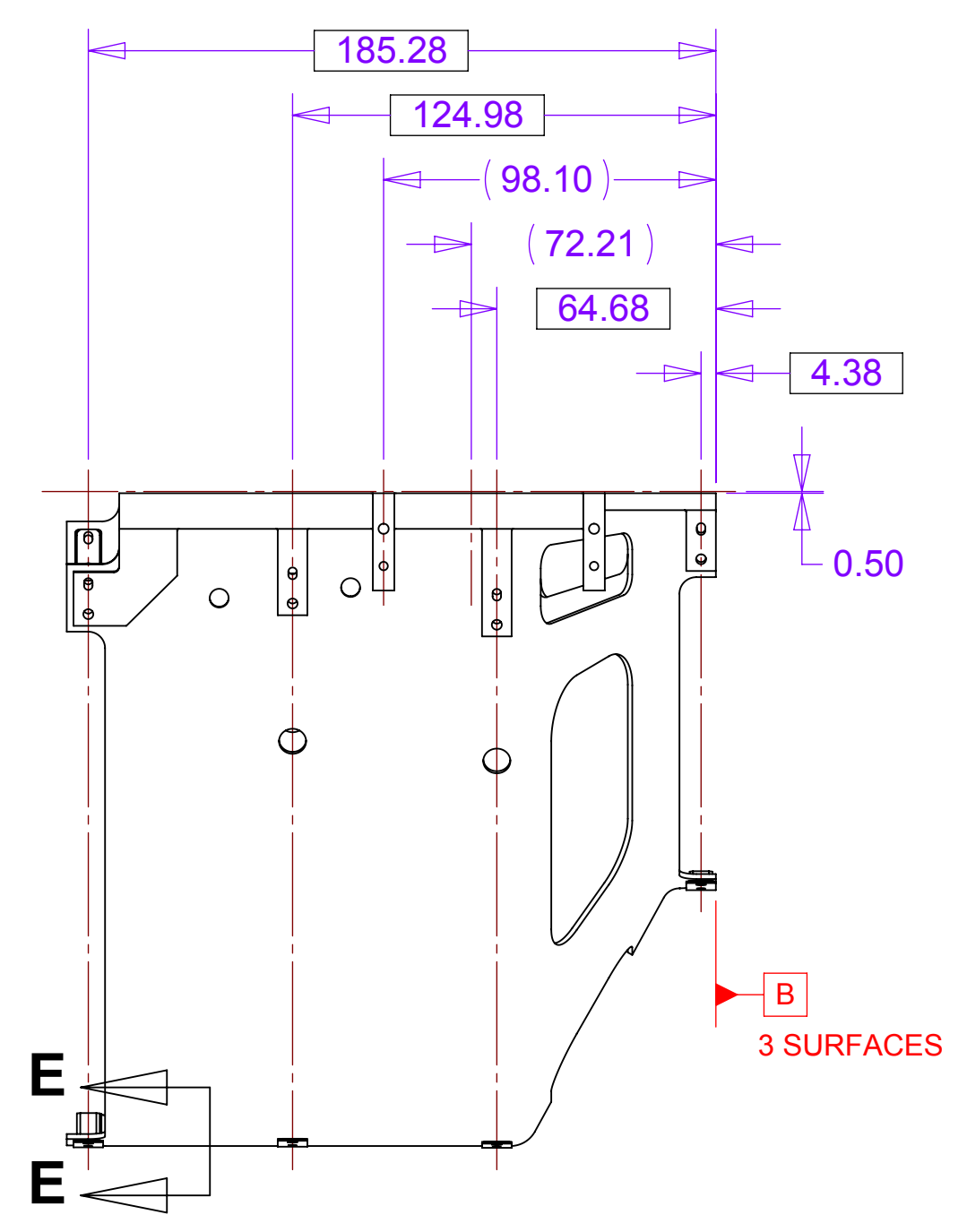
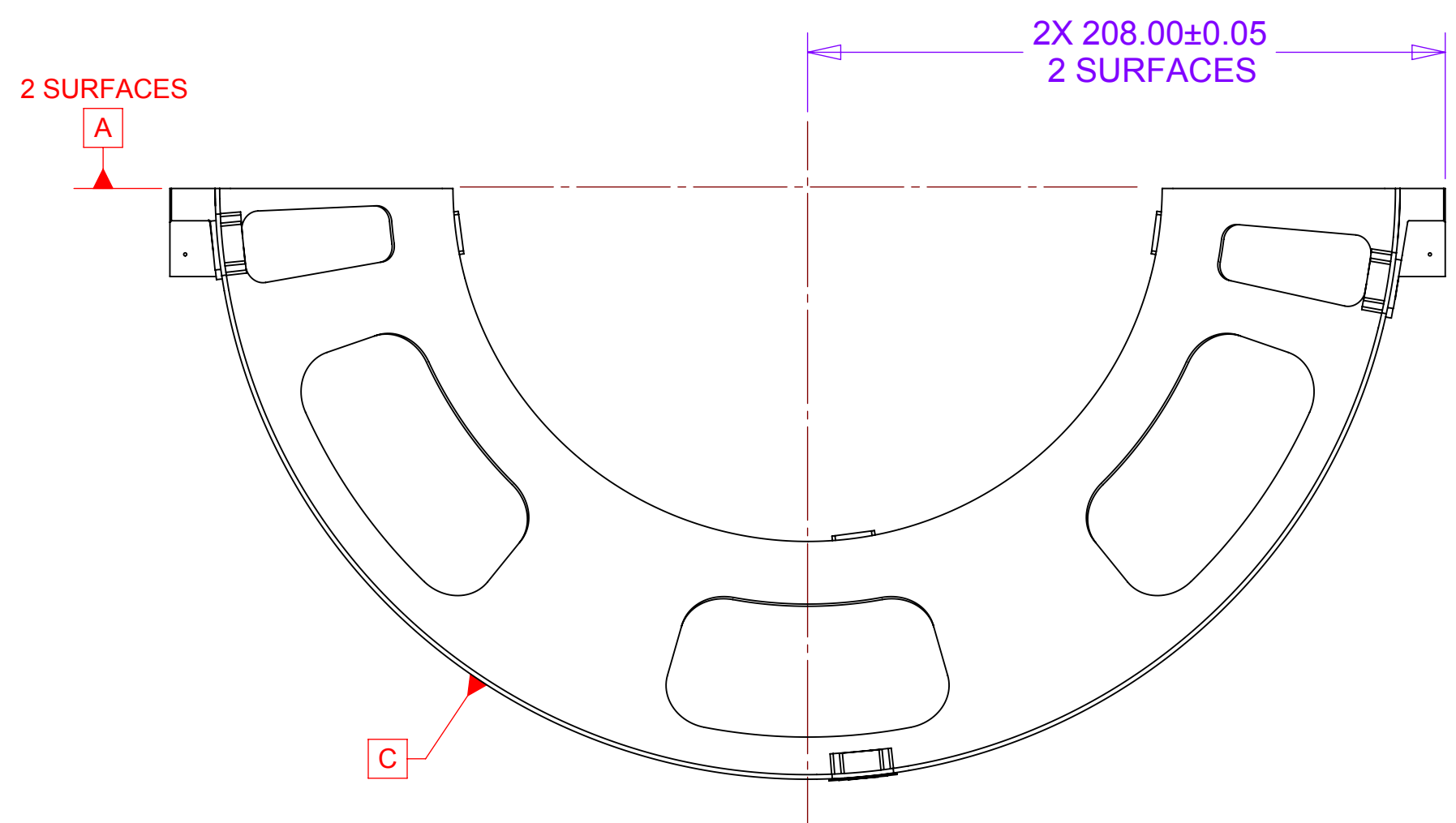
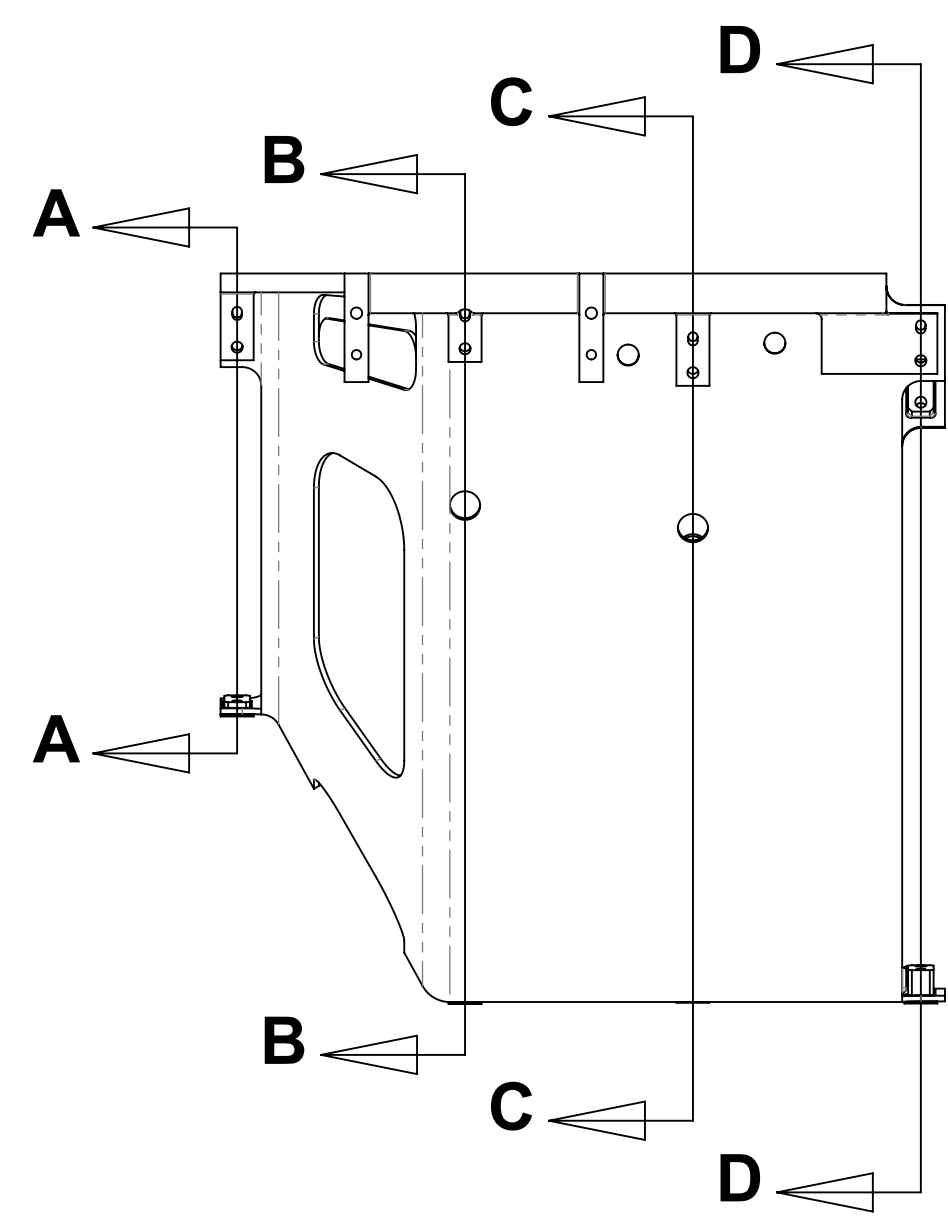
C

B

B

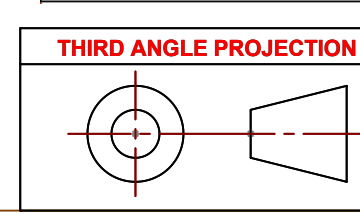
A

A



SECTION E-E
SCALE 2 : 1

THIS DOCUMENT CONTAINS INFORMATION THAT IS THE PROPRIETARY PROPERTY OF HYTEC, INC.
REPRODUCTION, DISCLOSURE, OR RELEASE TO OTHERS, MANUALLY OR ELECTRONICALLY,
IS STRICTLY PROHIBITED WITHOUT THE PRIOR WRITTEN CONSENT OF HYTEC, INC.



UNLESS OTHERWISE SPECIFIED:
DIMENSIONS ARE IN INCHES
-TOLERANCES-

DECIMALS	ANGULAR = +/- .30°
.X = +/- .1	
.XX = +/- .01	
.XXX = +/- .005	SURFACE FINISH = 125

FINISH

PART NO.
111-PHX-02-3100-1

CAD GENERATED DRAWING.
DO NOT MANUALLY UPDATE
DO NOT SCALE DRAWING

	SIGNATURE	DATE
Designer	Roger L. Smith	7/25/2008
Drawn	Roger L. Smith	7/25/2008
Checked	RJ Ponchione	11/19/2009
Engineer	RJ Ponchione	7/25/2008
Approved	RJ Ponchione	11/19/2009

HYTEC, INC

TITLE
**PHENIX CENTRAL UPGRADE
FVTX CAGE
BONDED ASSEMBLY**

DWG. NO.	SIZE	SHEET NO.
111-PHX-02-3100	D	2 of 3

SCALE 1:1 REVISION **A**

8

7

6

5

4

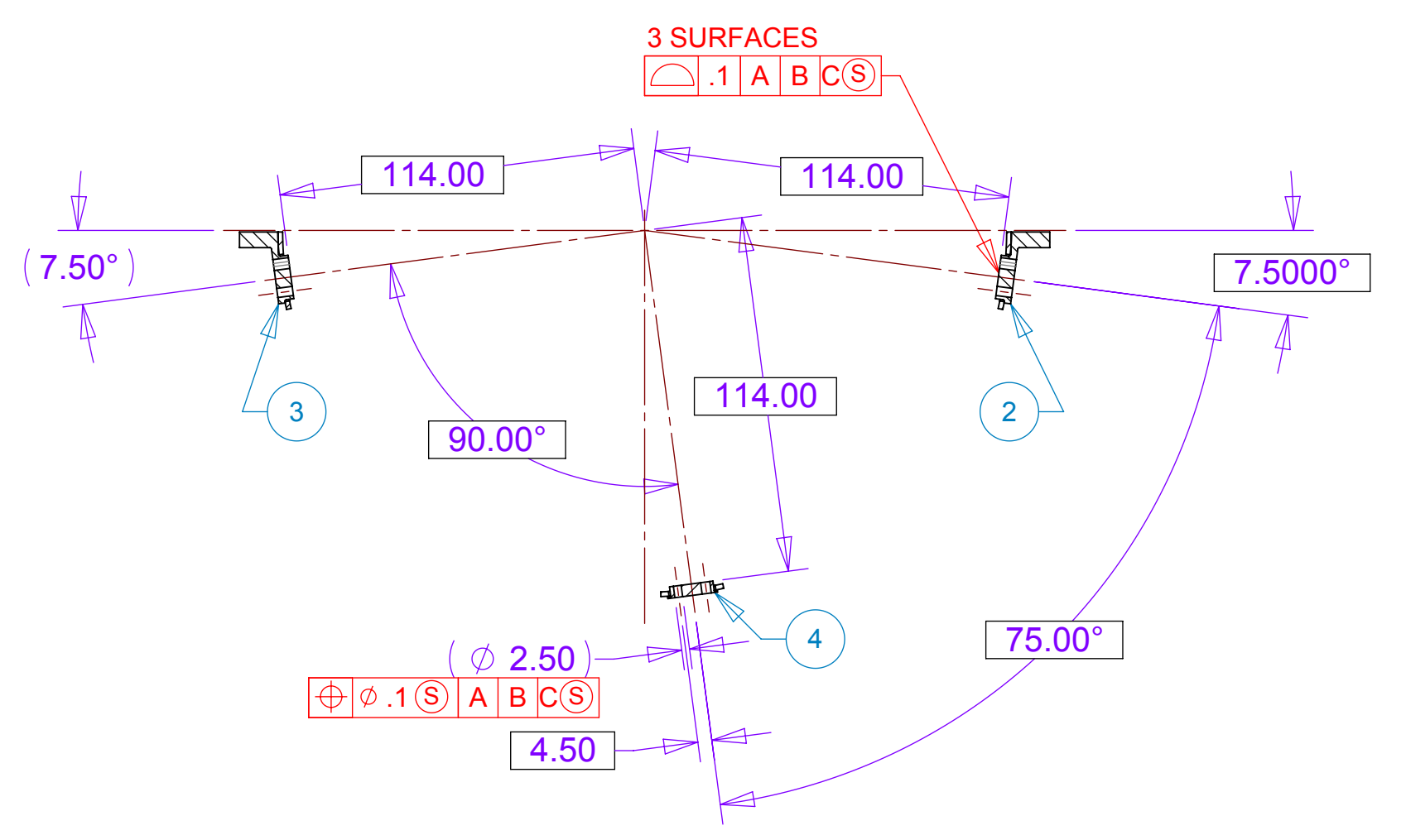
3

2

1

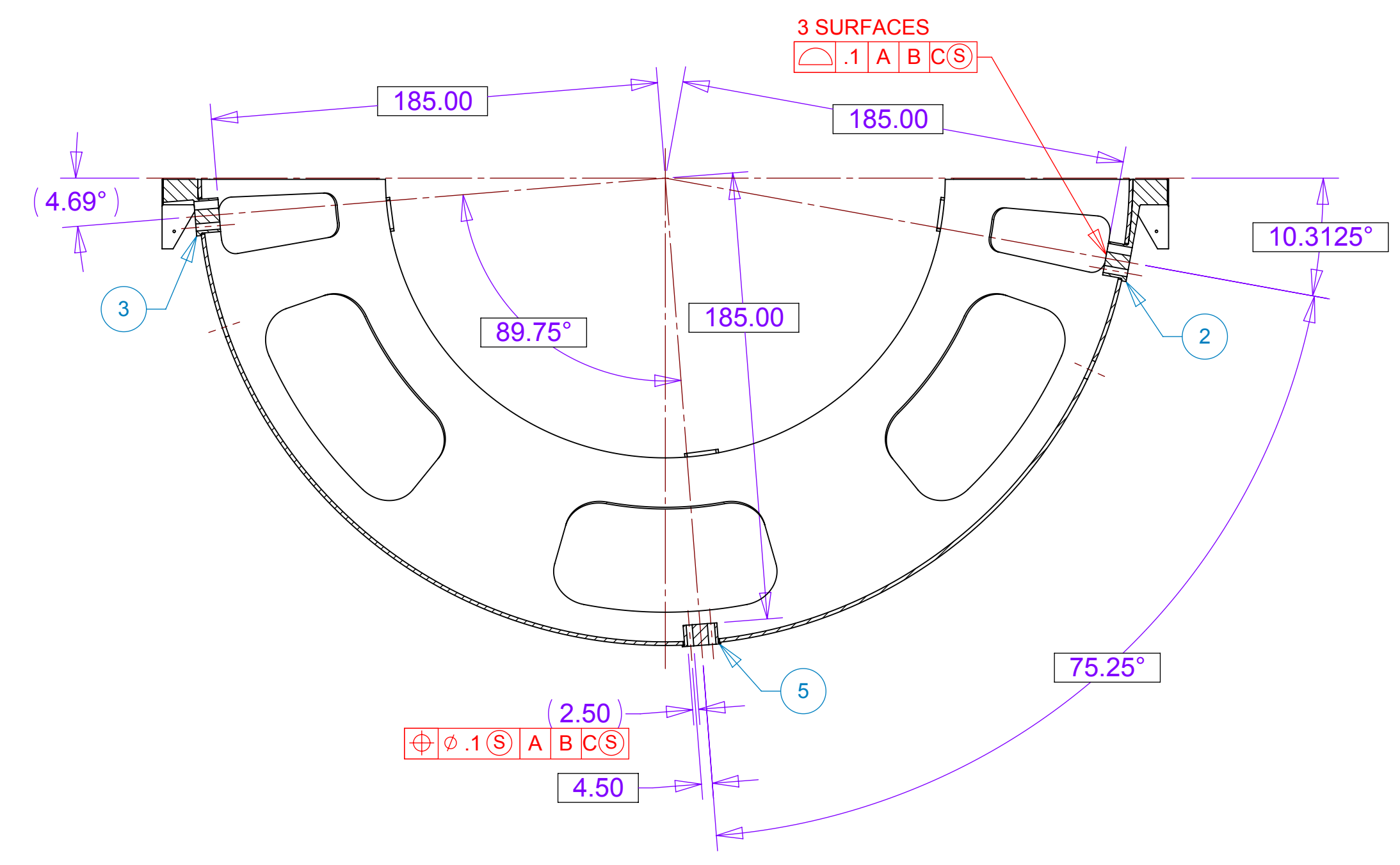
8 7 6 5 4 3 2 1

D



SECTION A-A
SCALE 1 : 2

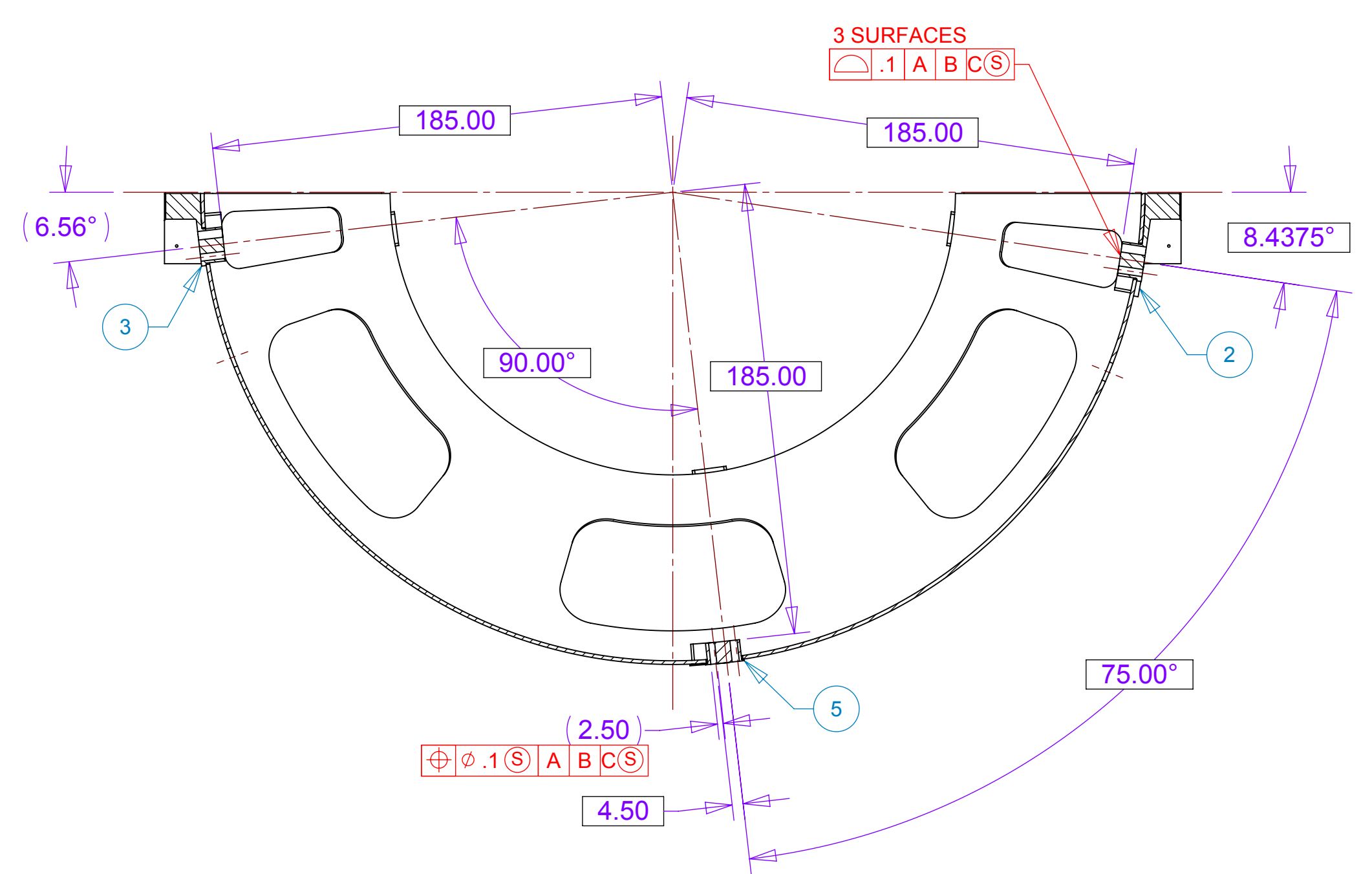
D



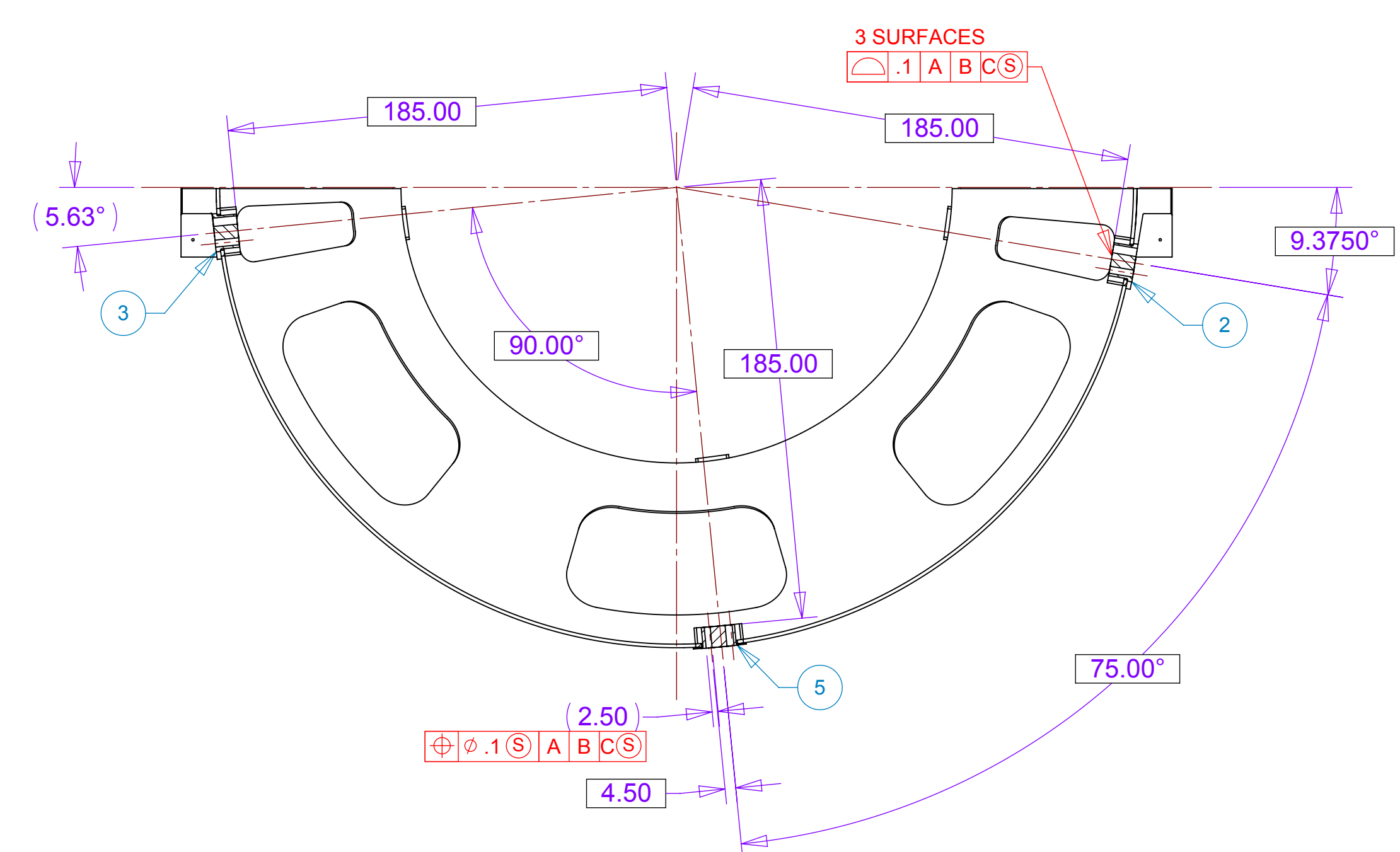
SECTION B-B
SCALE 1 : 2

C

C



SECTION C-C
SCALE 1 : 2



SECTION D-D
SCALE 1 : 2

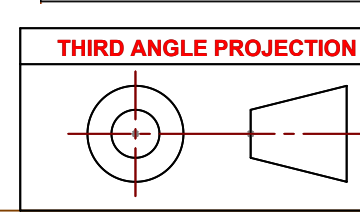
B

B

A

A

THIS DOCUMENT CONTAINS INFORMATION THAT IS THE PROPRIETARY PROPERTY OF HYTEC, INC. REPRODUCTION, DISCLOSURE, OR RELEASE TO OTHERS, MANUALLY OR ELECTRONICALLY, IS STRICTLY PROHIBITED WITHOUT THE PRIOR WRITTEN CONSENT OF HYTEC, INC.



UNLESS OTHERWISE SPECIFIED:
DIMENSIONS ARE IN INCHES
-TOLERANCES-

DECIMALS	ANGULAR = +/- .30°
X = +/- .1	
.XX = +/- .01	SURFACE FINISH = 125
.XXX = +/- .005	

FINISH

PART NO.
111-PHX-02-3100-1

CAD GENERATED DRAWING.
DO NOT MANUALLY UPDATE
DO NOT SCALE DRAWING

	SIGNATURE	DATE
Designer	Roger L. Smith	7/25/2008
Drawn	Roger L. Smith	7/25/2008
Checked	RJ Ponchione	11/19/2009
Engineer	RJ Ponchione	7/25/2008
Approved	RJ Ponchione	11/19/2009

HYTEC, INC

TITLE
**PHENIX CENTRAL UPGRADE
FVTX CAGE
BONDED ASSEMBLY**

DWG. NO.	SIZE	SHEET NO.
111-PHX-02-3100	D	3 of 3

SCALE 1:1 REVISION **A**

8 7 6 5 4 3 2 1